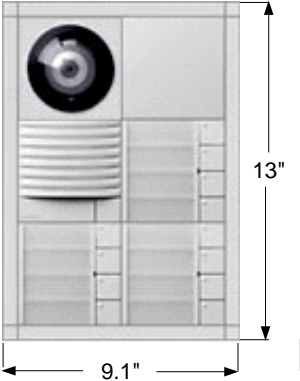


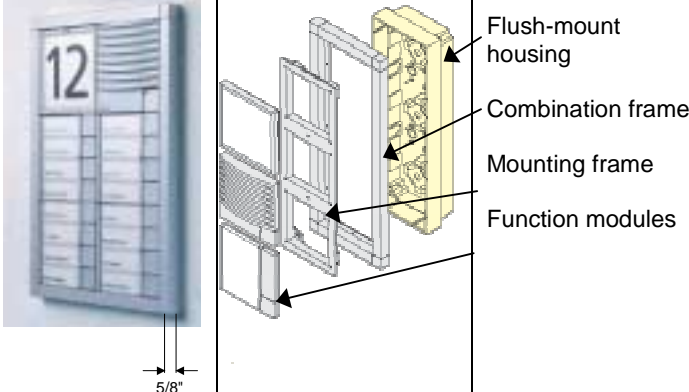
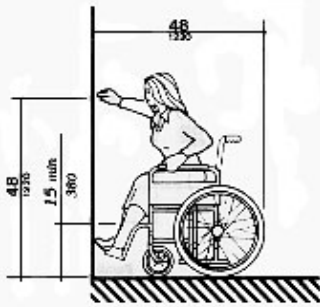
Intercom & Access Control Security System Specifications

Door Entry Station (B-C34F2-B_)

An intercom and access control security system designed to meet the common requirements of a ten to twelve unit multi-family building security. The system consists of entry door stations, internal communication stations and a power and switching panel. This specification describes a selected entry station.

<p>Wall mounted stations are available in two configurations and may be flush or surface mounted.</p> 	<h3>Module Descriptions</h3> <p>BCMC650-1 Color Camera – Siedle 2 wire bus high resolution color day/night camera with built-in IR illumination providing clear, sharply focused and full contrast images around the clock with its infrared lighting. Allowing for visual monitoring at each internal color or monochrome video station.</p> <p>BTLM650-03 Door Loudspeaker –Weather-proof module with floating low current light button and illuminated light symbol. Also, equipped with volume controller for the loudspeaker. Providing full duplex voice communication to each internal handset station.</p> <p>BTM650-04 Call Button –Three modules containing four call buttons with nameplates and lighting features are clearly designed and simply arranged. With doorbell ring to internal handset stations in the selected apartment unit.</p> <p>BM611-0 Blank Module –A blank module for covering blank spaces or later replacement with any other module.</p> <p>ZDS601-0 Anti-theft Safeguard Accessory –A two state solenoid magnet for integration into the mounting frame together with a stable metal plate is used to lock the release mechanism. This solenoid lock and electronic controller prevents the removal and theft of modules.</p> <p>Available Colors – Silver Metallic, White, Titanium Metallic and Graphite Brown Metallic</p>
---	---

Wall Mounting Options

<p><u>Flush Mounting</u></p> 	<p>Mounting Standards (ADA Standards – 28 CFR Part 36 7/1/94)</p>  <p>Mount the top of the frame combination shown above at 56" where a disabled person will reach forward or at 62" where a disabled person will reach from the side.</p> <p>This will place the speaker button and call button at heights that will meet ADA standards (28 CFR Part 36 7/1/94).</p>
--	--

Parts List

Qty	Part #	Description
1	BCMC 650-1	Color camera
1	BTLM 650-03	Door loudspeaker
3	BTM 650-04	Call button
1	BM 611-0	Blank module
4	ZDS 601-0	Anti-theft lock
1	KR 611 3/2-0	Flush mount frame
2	MR 611 3/1-0	Mounting frame
2	GU 611 3/1-0	Flush mount housing

SSS SIEDLE

750 Parkway
 Broomall, PA 19008
 Tel. 610 353 9595
 Fax 610 353 9716
 Email: info@siedleusa.com
 Web: www.siedleusa.com