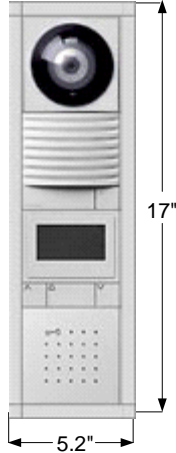


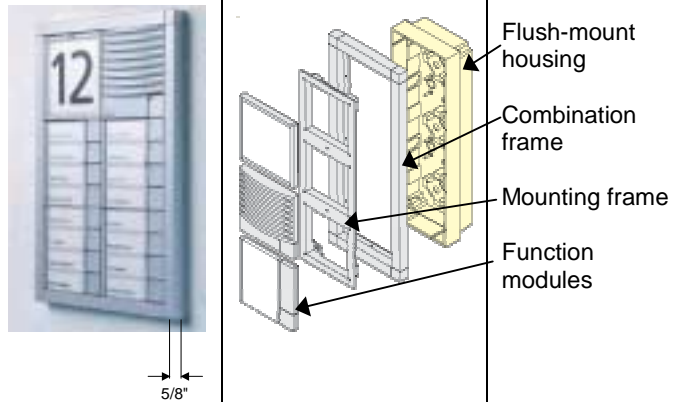
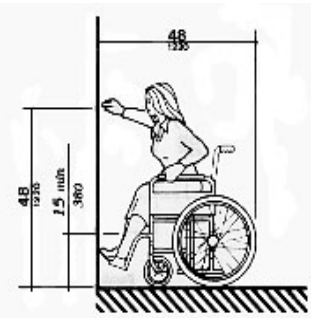
# Intercom & Access Control Security System Specifications

## Door Entry Station (8-C00F1-DE\_)

An intercom and access control security system designed to meet the common requirements of a multi-family building security. The system consists of entry door stations, internal communication stations and a power and switching panel. This specification describes a selected entry station.

<p>Wall mounted stations are available in two configurations and may be flush or surface mounted.</p> 	<h3>Module Descriptions</h3> <p><b>CMC612-1 Color Camera</b> –The day / night tilt and zoom camera provides clear, sharply focused and full of contrast images around the clock with its integrated lighting. Allowing for visual monitoring at each internal color video station</p> <p><b>TLM612-01 Door Loudspeaker</b> –Weather-proof module with floating low current light button and illuminated light symbol. Also, equipped with volume controller for the loudspeaker. Providing full duplex voice communication to each internal handset station.</p> <p><b>DRM611-0 Display Module</b> –An input unit with display function for entering door calls. Two buttons are provided to permit scrolling within the index of names. Once the required name appears in the display, the door call is placed by pressing the call button with the bell symbol. Module Call button and lighting features are clearly designed and simply arranged. With doorbell ring to each internal handset stations.</p> <p><b>ELM611-0 Easikey Reader</b> –A no-contact access control system with LED function. Using either a electronic key or card this reader releases doors, gates, etc.</p> <p><b>ZDS601-0 Anti-theft Safeguard Accessory</b> –A two state solenoid magnet for integration into the mounting frame together with a stable metal plate is used to lock the release mechanism. This solenoid lock and electronic controller prevents the removal and theft of modules.</p> <p><b>Available Colors</b> – Silver Metallic, White, Titanium Metallic and Graphite Brown Metallic</p>
---	---

## Wall Mounting Options

<p><u>Flush Mounting</u></p> 	<p><b>Mounting Standards (ADA Standards – 28 CFR Part 36 7/1/94)</b></p>  <p>Mount the top of the frame combination shown above at 52" where a disabled person will reach forward or at 56" were a disabled person will reach from the side.</p> <p>This will place the speaker button and call button at heights that will meet ADA standards (28 CFR Part 36 7/1/94).</p>
--	---

## Parts List

Qty	Part #	Description
1	CMC 612-1	Color camera
1	TLM 612-01	Door loudspeaker
1	DRM 611-0	Display Module
1	ELM 611-0	Easikey reader
2	ZDS 601-0	Anti-theft lock
1	KR 611-4/1-0	Flush mount frame
1	MR 611-4/1-0	Mounting frame
1	GU 611-4/1-0	Flush mount housing

# SSS SIEDLE

750 Parkway  
 Broomall, PA 19008  
 Tel. 610 353 9595  
 Fax 610 353 9716  
 Email: [info@siedleusa.com](mailto:info@siedleusa.com)  
 Web: [www.siedleusa.com](http://www.siedleusa.com)